



Steel Frames

Simple, beautiful, fast: VarioFix steel profile frame







- 4 Hörmann Brand Quality
- 6 Good Reasons to Try Hörmann
- 8 Sustainable Production
- 9 Architects' Program and Frame Compendium

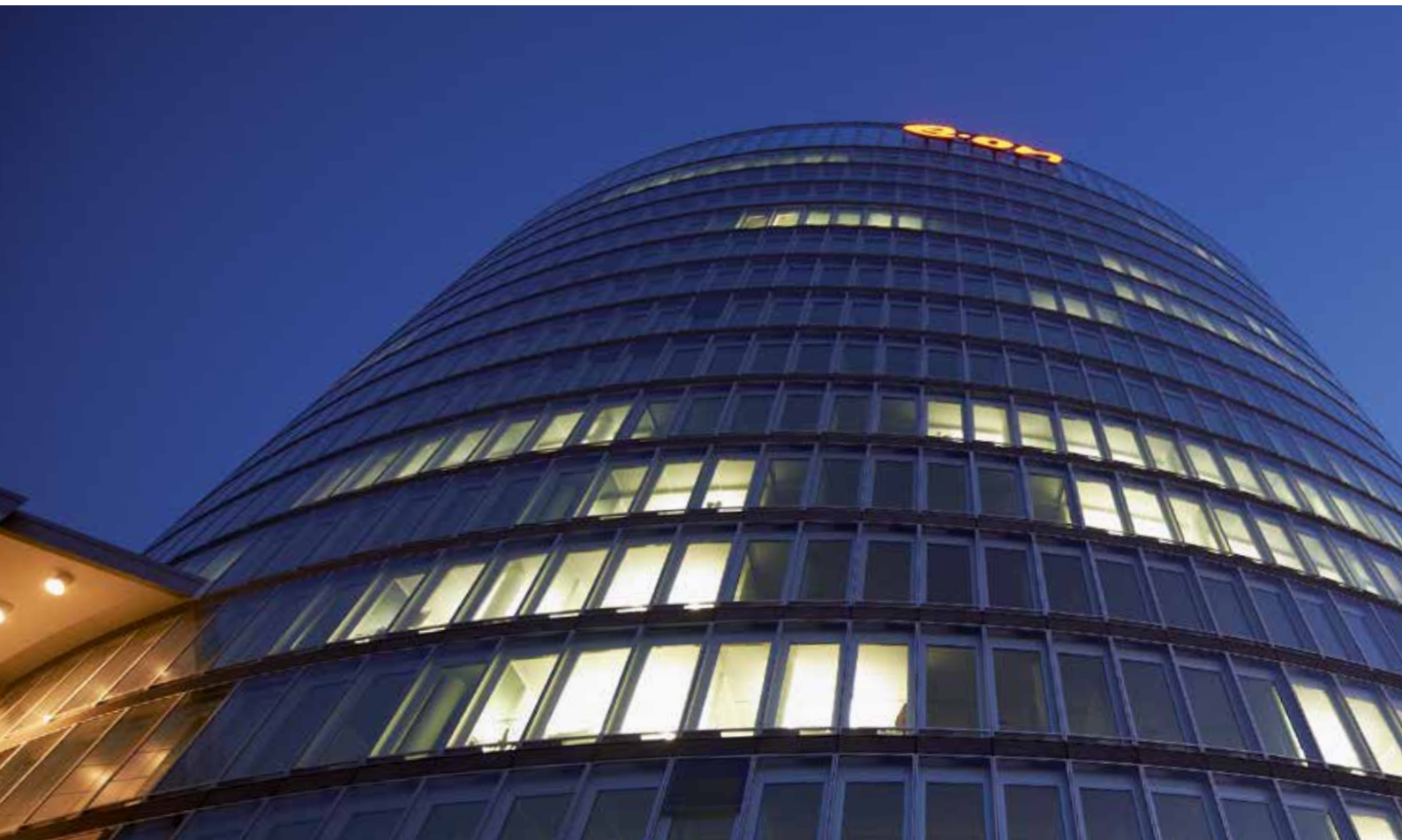
- 10 Apartment Buildings
- 11 Hotels
- 12 Hospitals
- 13 Authorities, Offices and Public Buildings
- 14 Schools and Nurseries
- 15 Steel Frame HW-SL
- 16 Steel Profile Frame VarioFix
- 18 Sliding Doors
- 20 Design Solutions
- 21 Colours and Surface Finishes
- 22 Individual Frame Versions and Sound-Absorbing Seals
- 24 Lock Plates and Hinge Constructions
- 26 Technical Details
- 27 Hörmann Product Range

The colours and surface finishes shown are subject to the limitations of the printing process and cannot be regarded as binding.

All rights reserved. No part may be reproduced without our prior permission.
Subject to changes.

Hörmann Brand Quality

Top safety and reliability



EON Head Office, Essen (Germany) with Hörmann products



In-house product development

Frame functions necessitate continuous new developments and improvements in construction and equipment. In this area, our qualified development teams time and again prove their great specialised expertise. Hörmann has continued to extend its steel frame programme, resulting in today's complete range.



Highly sophisticated production methods

We at Hörmann rely on the latest production technology at our specialised factories. Computer-controlled operations ensure dimensionally accurate frame elements with precise fittings and functional parts. As a part of quality, environmental, energy and occupational safety management, Hörmann frames are manufactured in accordance with DIN EN ISO 9001, 14001, 50001 and BS OHSAS 18001. These are prerequisites for optimum and individual project solutions.



As Europe's leading manufacturer of doors, operators and frames, we are committed to high product and service quality. This is how we set standards on an international scale.

Highly-specialised factories develop and produce construction components that are marked by excellent quality, functional safety and a long service life.

Our presence in the global economy's key regions makes us a strong, future-oriented partner for industrial and public construction projects.



Information for planners

Our broad programme for rebated and flush door leaves, as well as sliding doors, gives you many design options. Frames can be planned individually. You can download documents, such as our frame compendium and our latest Architects' Program, from our Architects' Forum at hoermann.de.



Expert building support

Experienced specialists of our customer-oriented sales organisation support you from the planning stage, through technical clarification up to the final building inspection. Expert fitting is guaranteed by experienced Hörmann fitters and the specialised trained staff of Hörmann partners.

Good Reasons to Try Hörmann

The frame specialist with decades of experience



1

VarioFix frame for simple and quick fitting

For the Hörmann steel profile frame VarioFix, **wall tolerances of up to 20 mm are no problem:** The adjustable decorative rebate compensates for different wall thicknesses during renovations and new construction projects. As easy to fit as a timber frame, the steel profile frame is additionally distinguished by its **long service life and attractive design. Only VarioFix offers** high resistance and an elegant shape **without visible foldback coupled with the fitting principle of timber frames.**



2

Sliding doors for space-saving door solutions

Open up new possibilities to use your rooms in the optimum way: Hörmann offers you **the right solution for every living situation with single-leaf and double-leaf sliding doors made of glass or timber.** In combination with the various Hörmann frame variants, including the VarioFix steel profile frame, sliding doors are particularly suited for retrofitting.

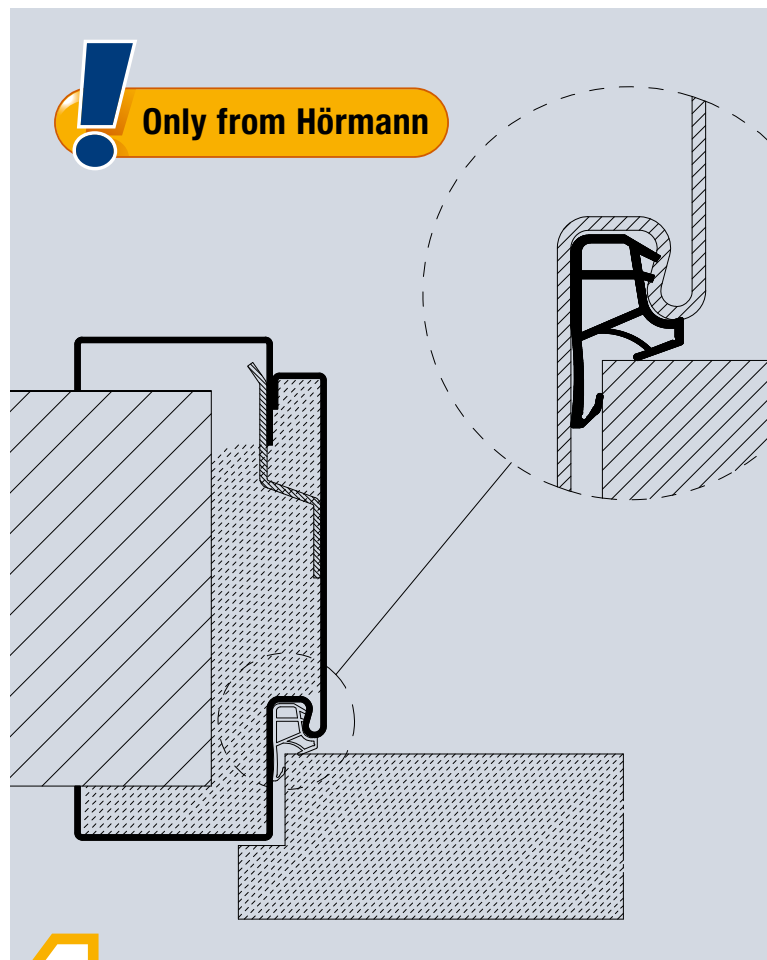


3

Frame without face for the highest design demands

Hörmann offers the perfect solution with the HW-SL frame without face for use in modern interior designs that demand narrow frame depths and integrated door closers.

With concealed hinges or surface-mounted, filigreed guide rollers, **it meets the highest design demands.**



4

Sound-absorbing seal for improved acoustic insulation

We recommend an acoustic-insulated connecting door **for doors to rooms adjacent to noisy operating areas, such as warehouses or production halls, or apartment entrance doors.** With the new, optional sound-absorbing seal, you can improve the acoustic rating values of the door set by 7 dB.

Sustainable Production

For trend-setting construction



Sustainability documented and approved by the ift in Rosenheim

Hörmann received confirmation of sustainability through an environmental product declaration (EPD)* in accordance with ISO 14025 from the Institut für Fenstertechnik (ift – Institute of window technology) in Rosenheim. The inspection was based on the Product Category Rules (PCR) Doors and Gates from ift Rosenheim GmbH, issue PCR-TT-0.1. Environmentally-friendly production was confirmed by a life-cycle analysis in accordance with DIN ISO 14040/14044 for all sliding doors.

Sustainably produced steel frames from Hörmann

Environmentally-friendly production
A comprehensive energy management system ensures environmentally-friendly production.

Regional raw materials
The majority of applied raw materials is purchased from Germany and Central Europe.

Long-lasting products
A long service life and low maintenance costs thanks to the use of high-quality materials.

Sustainable construction with Hörmann's expertise

Hörmann has been able to gain great expertise in sustainable construction through various projects. We also apply this know-how to support your projects. Another advantage: For every project order, the required data for LEED certification are automatically generated.



DGNB
Deutsche Gesellschaft für Nachhaltiges Bauen e.V.
German Sustainable Building Council



* For more information please visit our Internet site at www.hoermann.co.uk/documentation

Hörmann's New Architects' Program

More than 9000 drawings for over 850 products



The Architects' Program

Planning with Hörmann products is now even easier thanks to a modern, user-friendly interface. Clearly structured navigation via dropdown menus and symbols, as well as a search function, give you faster access to texts for invitation of tenders and drawings (in DWG and PDF format) of over 850 Hörmann products. Photo-realistic presentations provide additional information on many products.

The Architects' Program is available to you as a web version at www.architektenprogramm.hoermann.de or can be downloaded free-of-charge from the Hörmann Architects' Forum.

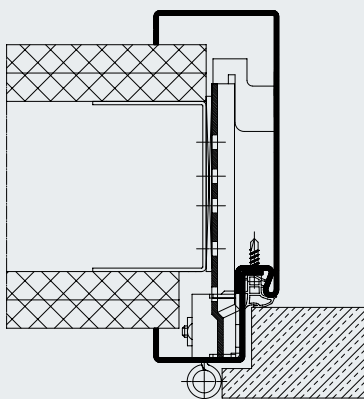
Apartment Buildings

Secure, easy-to-fit and long-lasting

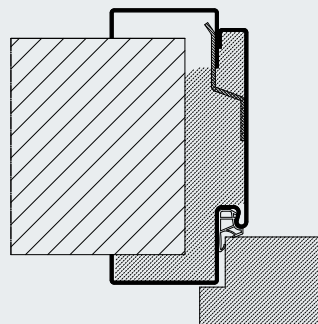


Double-shell frames for all wall types

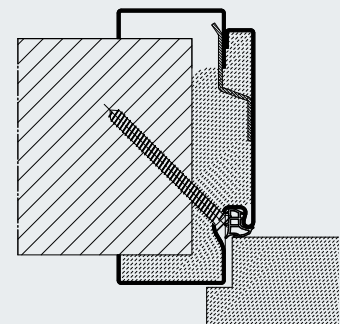
Steel frames are long-lasting, timeless and modern design elements for residential construction. They appear just like the white painted timber frames, but are not mitred. With the double-shell steel profile frame VarioFix, Hörmann offers an innovative solution: The familiar timber frame fitting principle of wall width adjustment in the decorative rebate is now available for steel frames. Further information on the VarioFix can be found on pages 16 and 17.



Double-shell frame without wall width adjustment, rebated
10



Steel profile frame VarioFix, rebated,
with sound-absorbing seal for increased
acoustic insulation



Steel profile frame VarioFix, rebated,
Apartment entrance door for RC 2 security
equipment // **NEW**

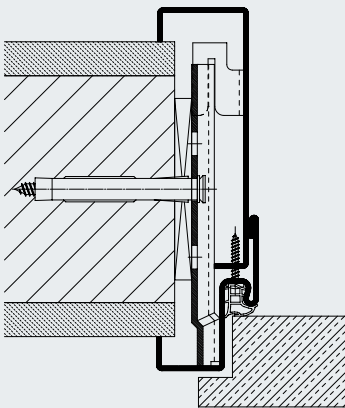
Hotels

Sturdy and with individual designs

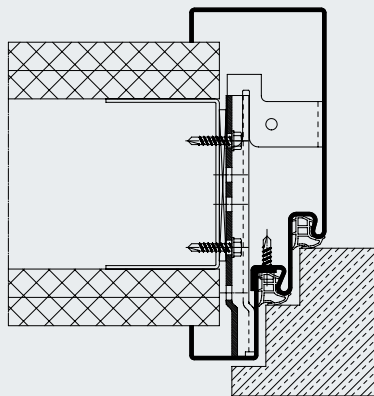


Passages and doors in hotels and B&Bs must withstand the greatest strains. Architectural demands also require individual designs and colours. Hörmann primed, paintable or powder-coated steel frames perfectly fulfil these requirements and are maintenance-free and enduringly resistant to strain.

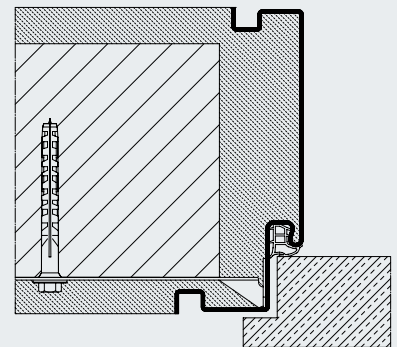
Single-shell and double-shell frame for all wall types



Double-shell frame with wall width adjustment, rebated



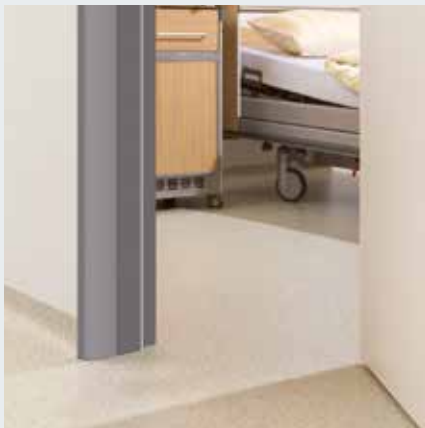
Double-shell frame with double rebate, rebated



Single-shell frame with edge recess, rebated

Hospitals

Impact-resistant and easy to clean

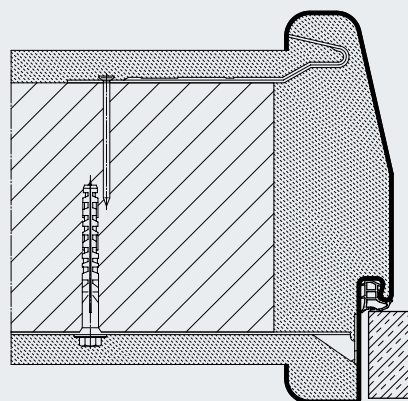


Frame with chamfered reveal

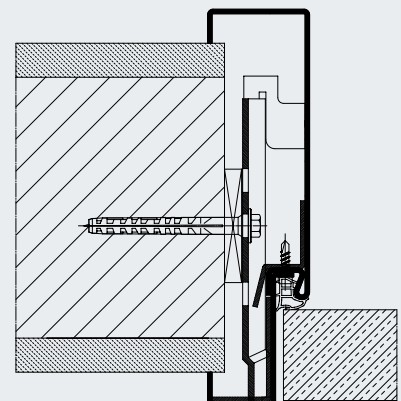
Door frames made of steel are the right solution for diverse, demanding tasks in hospitals. For example, thanks to a larger opening width, frames with a chamfered reveal make it easier to move beds through doorways. Hörmann steel and stainless steel frames meet the efficiency, cleanliness and hygiene requirements found in an everyday clinic environment.



Stainless steel frame



Single-shell brickwork frame with rounded reveal, non-rebated



Double-shell frame with lead insert, non-rebated

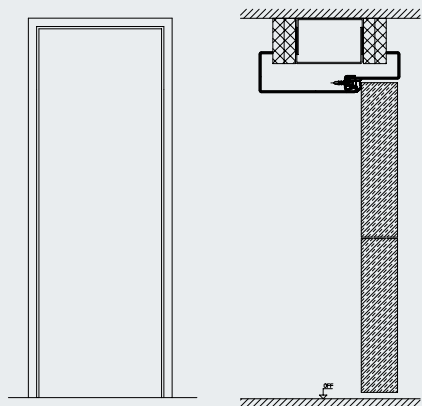
Authorities, Offices and Public Buildings

The efficient solution for highly frequented areas

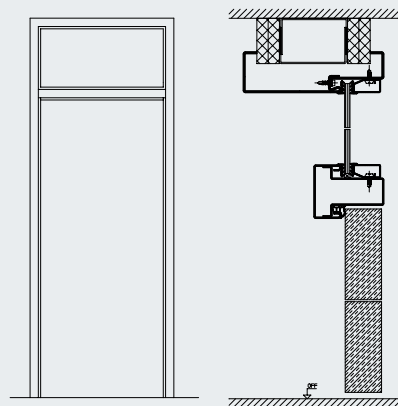


Frame prepared for overhead door closer

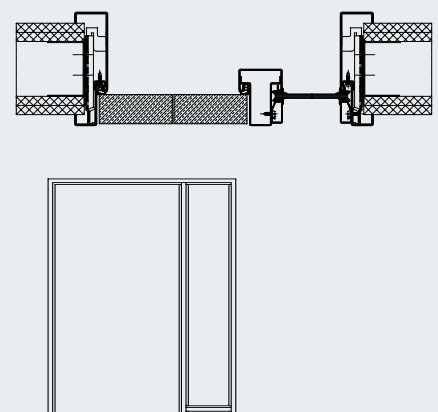
Hörmann has the right frames for high-frequency office areas. They fulfil high requirements for robustness and safety. Additional side elements and transom lights ensure bright rooms.



Room-high profile frame



Profile frame with transom light



Profile frame with side element

Schools and Nurseries

For a lower risk of injury

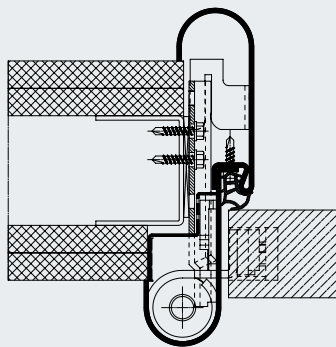


Round-style frame with VR 120 hinge (open)

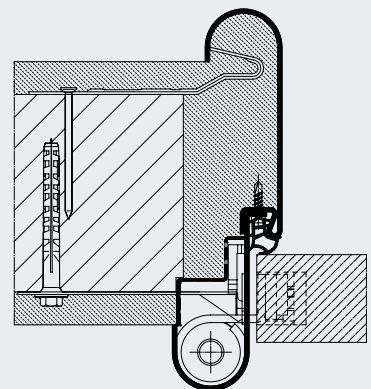


Round-style frame with VR 120 hinge (closed)

Frames for schools and nurseries have especially high safety standards: Hörmann's round-style frame with finger trap protection on the secondary closing edge of the hinge side reduces the danger of crushing or injuries.



Double-shell round-style VR frame, non-rebated, for partition walls



Double-shell round-style VR frame, non-rebated, for brickwork

Steel Frame HW-SL

For a flush-fitting appearance

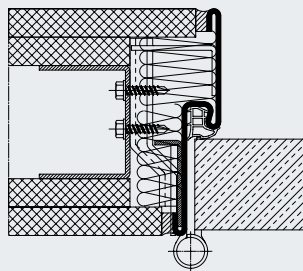


Filigreed guide roller (viewed from inside)

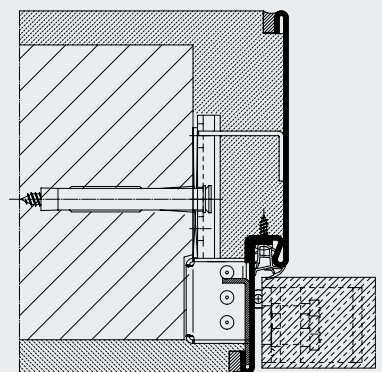
With its narrow frame face, the HW-SL steel frame can be incorporated harmoniously into modern living concepts. With concealed hinges or filigreed guide rollers, it also meets the highest design demands.



Concealed hinge



1-part frame, non-rebated, for partition wall, hinge system VN 2927 / 160 Compact Planum



Double-shell frame, non-rebated, for brickwork, concealed hinge

Steel Profile Frame VarioFix

The robust and elegant alternative to the timber frame



For the Hörmann steel profile frame VarioFix, wall tolerances of up to 20 mm are no problem: The adjustable decorative rebate compensates for different wall thicknesses during renovations and new construction projects. As easy to fit as a timber frame, the steel profile frame is additionally distinguished by its long service life and attractive design. Only VarioFix offers high resistance and an elegant shape without visible foldback coupled with the fitting principle of timber frames.



20% less expensive than conventional double-shell frames

High-quality design

In contrast to conventional steel frames, for the VarioFix frame the wall width adjustment is not made in the area visible from outside. This way, an additional unattractive foldback is avoided. Furthermore, the corner joints of powder-coated steel frames feature high-quality welding and a flush polish, meaning there are no visible mitre cuts. The VarioFix frame also harmonises perfectly with other timber frames due to the frame face of 55 mm on both sides. The frame is available in Traffic white RAL 9016 and RAL to choose, to match Hörmann interior doors with a Duradecor surface finish. The VarioFix frame can be used with flush or rebated door leaves and can be supplied with concealed hinges and with an elegant stainless steel lock plate on request. As a less expensive alternative, a primed surface with spot-welded mitre corners is also available.



Simple fitting

The VarioFix frame can be fitted in all wall types without screws, using 2C foam, according to the fitting principle of the timber frame. With adjustment in the decorative rebate, it compensates for wall tolerances of up to 20 mm (-5 to +15 mm). The frame is designed for use in partition walls or brickwork with timber or steel door leaves up to 50 kg, with an additional adapter on the hinge side up to 80 kg.

Practical sound-absorbing seal

The high-grade, flexible hollow-chamber sound-absorbing seals are easy to insert. The lining groove is dimensioned so that the seal is held tight in the groove with the undercut.

Fast delivery times

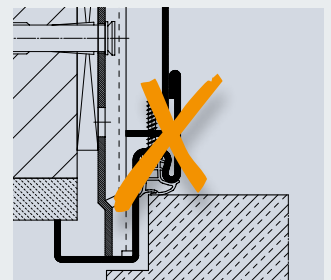
The powder-coated VarioFix frame in Traffic white RAL 9016 is available within six working days or ready for collection from the factory at any time for standard sizes with wall widths of 100, 125 and 150 mm. All powdered steel profile frames are delivered in sturdy transport packaging, which can be disposed of easily and in an environmentally-friendly manner.



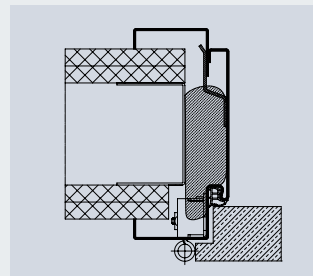
VarioFix frame without visible mitre



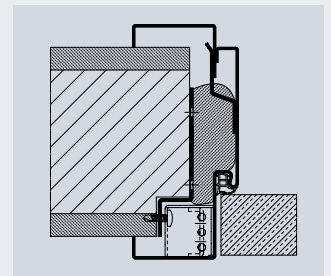
Timber frame with visible mitres



No additional foldback



VarioFix steel profile frame, positive fixing (2C fitting foam, up to 50 kg door leaf weight)



Fitting in brickwork, non-rebated with adapter up to 80 kg door leaf weight



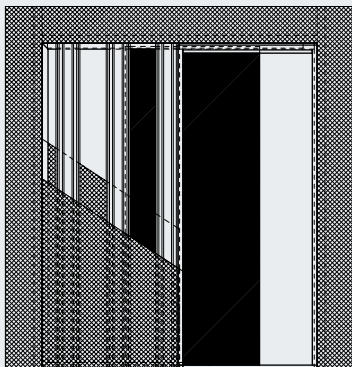
Hörmann PVC standard sound-absorbing seal as standard



Sturdy transport packaging

Sliding Doors

Running in front of and within the wall, as well as in an exclusive design

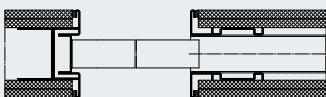


Sliding door, box design

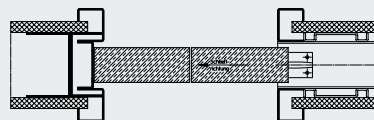
If it comes down to square meters, sliding doors are an ideal solution. The sliding door fitting is long-lasting and moves very easily. Optionally available with a lintel damper on one or both sides and with an operator.

Applications for frames for sliding doors running within the wall

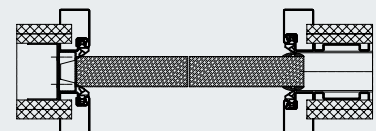
- For all wall types
- For glass and timber doors
- For solid walls with Peridur building slabs as a plaster base made of light and stable rigid foam, joints with reinforcing straps (scope of delivery)
- Sealed with a timber door leaf from wall width 125 mm with acoustic rating class (SK) 2.
- With simple cladding for 100 mm wall thickness; double cladding available from a wall thickness of 125 mm



Frame for sliding door running within the wall HW-SL



Sliding door frame running within the wall



Sliding door frame running within the wall, sealed



Sealing profile in the frame for sealed version

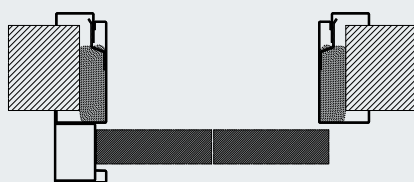


Sliding door frame running in front of the wall, sealed

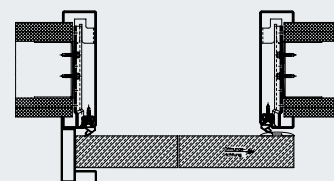
The frame variant for use in tight spaces comes with single-leaf and double-leaf sliding doors. It is particularly suitable for retrofitting as part of modernisation projects.

Applications for frames for sliding doors running in front of the wall

- For all wall types
- For glass and timber doors
- For partition walls and solid walls



VarioFix frame for sliding doors running in front of the wall



Sliding door frame running in front of the wall, sealed

Design Solutions

For the highest architectural demands



You can let your imagination run wild with Hörmann steel frames: used as a door frame or as a sliding door frame, they offer an almost unlimited range of design options.



Room-high steel frame with Hörmann tubular frame parts



Sliding glass door running within the wall

Colours and Surface Finishes

It's your choice



Priming

Factory-applied primer ensures optimum protection for the frame and is a good basis for further treatment.

Final powder coating

Plastic powder coating is characterised by an optimum finish and quality features such as high hardness, high elasticity and resistance to impacts, as well as lasting gloss and colour. On request, it is available in almost all RAL colours.

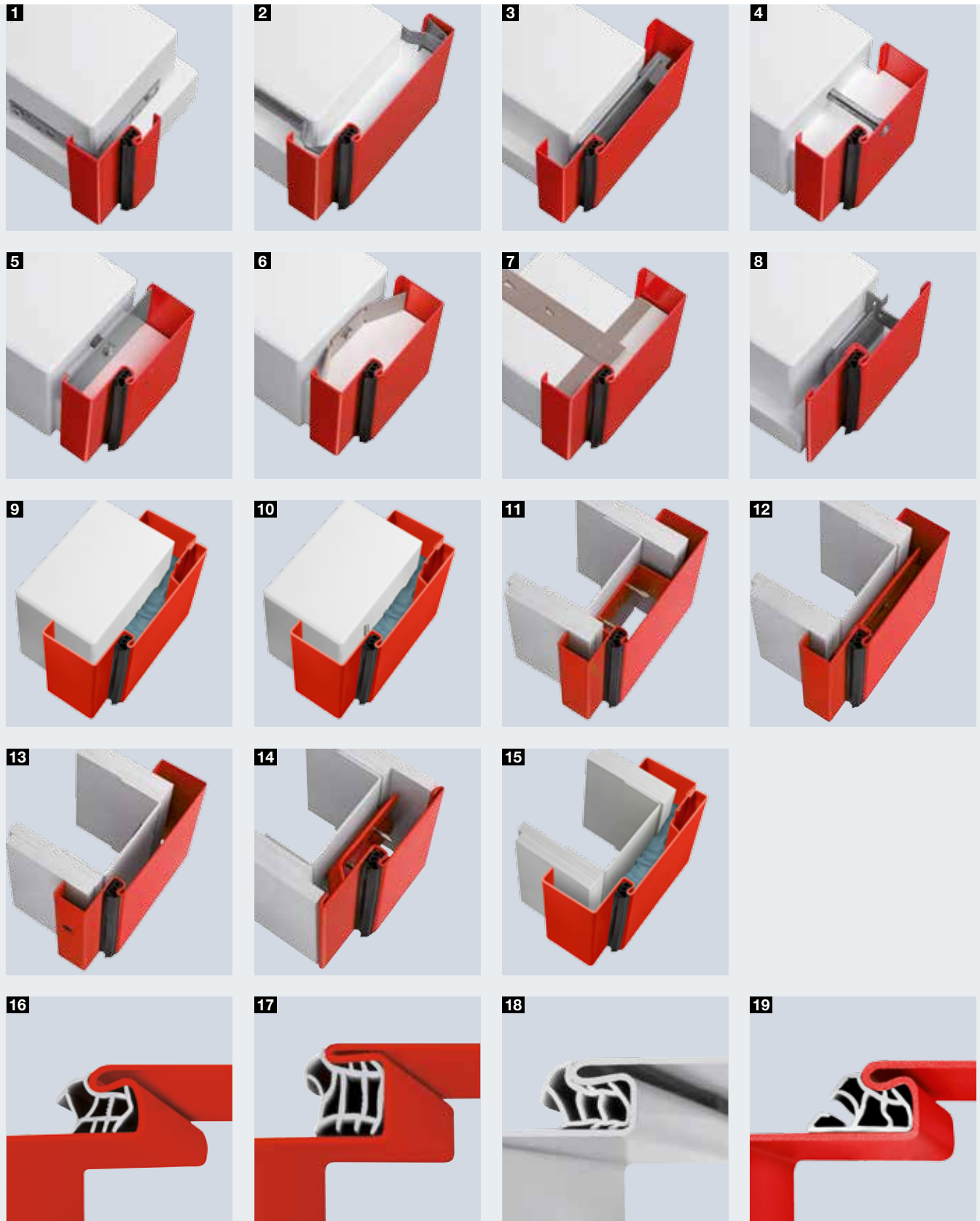
Stainless steel versions

Frames made of stainless steel (V2 A / V4 A) are the number one choice when high demands are placed on the resistance of the frame surface to external influences.

Frames primed and powder-coated at the factory can be painted to suit your own ideas.

Individual Frame Versions and Sound-Absorbing Seals

A broad range for more design possibilities



Brickwork frames

- 1 Corner frame**
Fitting with nail / grouting lugs
- 2 Profile frame**
Fitting with nail / grouting lugs and quick anchors
- 3 Profile frame**
Double-shell for retrofitting, fitting with trapezoidal anchor
- 4 Profile frame**
Plug-and-screw fitting and recessed drill holes in the reveal
- 5 Profile frame**
Plug-and-screw fitting through the reveal with hole and cover cap
- 6 Profile frame**
Fitting with propeller anchor
- 7 Profile frame**
Fitting with sliding anchor
- 8 Profile frame HW-SL**
With small viewed width, fitting with trapezoidal anchor
- 9 Profile frame VarioFix**
Double-shell for retrofitting, fitting with 2C foam
- 10 Profile frame VarioFix**
Double-shell for retrofitting, fitting with chamfered screw connection and 2C foam, for RC 2 security equipment

Door frames for partition walls

- 11 Profile frame**
Fitting with grouting lugs
- 12 Profile frame**
Double-shell for retrofitting, fitting with trapezoidal anchor
- 13 Profile frame**
Fitting with recessed drill holes through the frame face
- 14 Profile frame HW-SL**
With small viewed width, fitting with trapezoidal anchor
- 15 Profile frame VarioFix**
Double-shell for retrofitting, fitting with 2C foam

Sound-absorbing seal for quiet and tight closing

The high-grade, flexible hollow-chamber sound-absorbing seals are easy to insert. They ensure that doors close snugly with hardly a sound. The standard sound-absorbing seal is available in grey, white and black.

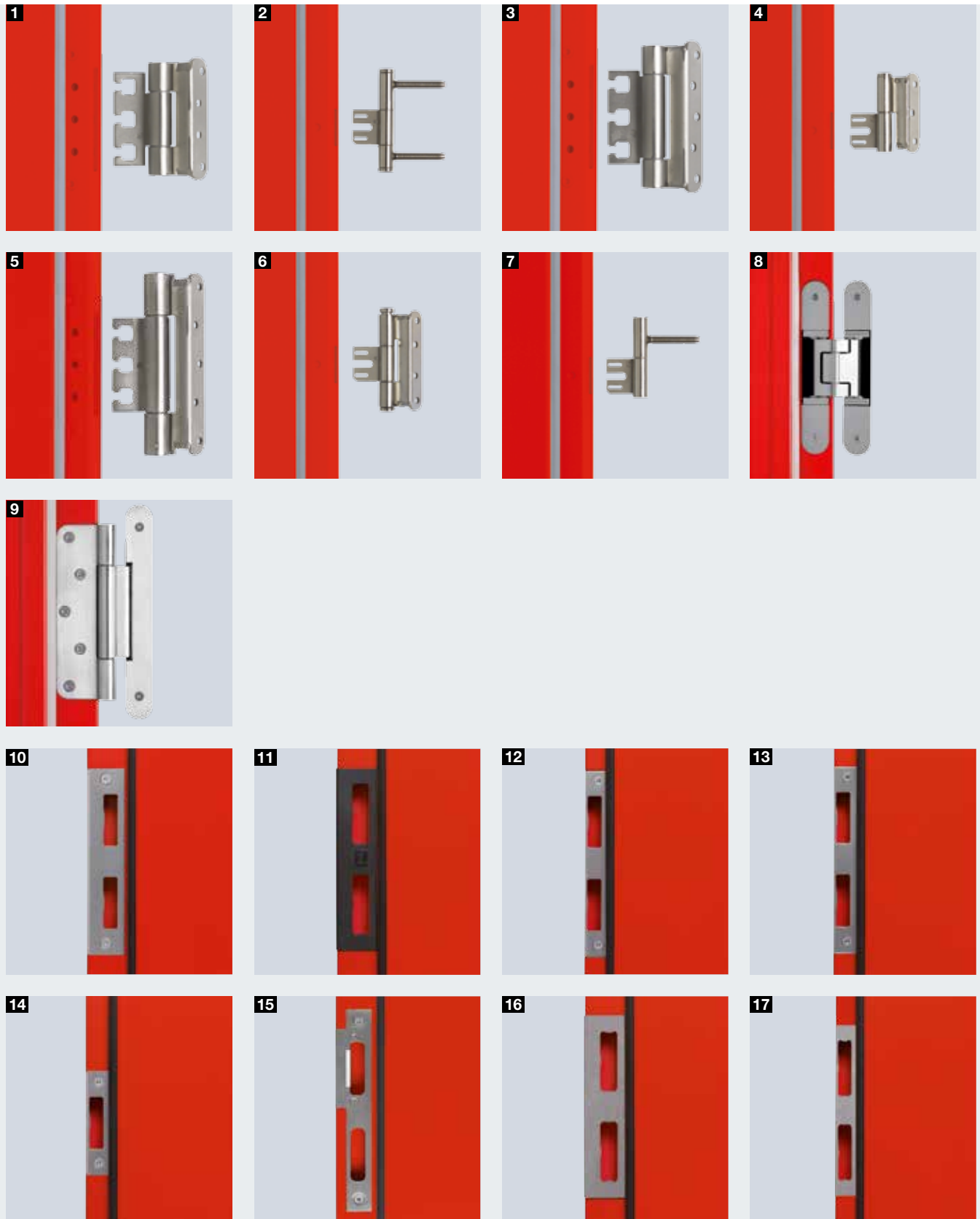
- 16 UPVC sound-absorbing seal**
Standard
Optional: UPVC-free TPE seal
- 17 UPVC sound-absorbing seal**
For 20 mm rebate width
- 18 UPVC sound-absorbing seal**
For stainless steel frames
- 19 Special sound-absorbing seal**
for acoustic insulation requirements



You can obtain a special sound-absorbing seal for all frame versions for higher acoustic insulation (42 dB instead of 35 dB).

Lock Plates and Hinge Constructions

For all demands



Same hinge systems for brickwork and partition walls, can be fitted by welding or with push-in connectors

When selecting or defining the suitable hinge system, you must take into account all load factors, such as application area, opening frequency, door stop and door closer, as well as the dimensions of the door leaf used.

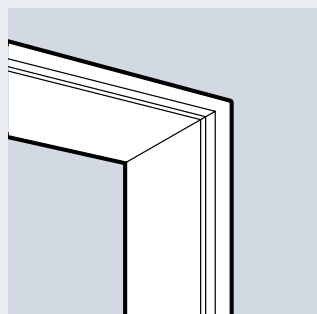
- | | |
|---|--|
| <p>1 VX 7939 / 100
(loading capacity up to 100 kg*)</p> <p>2 V 8026 WF
(loading capacity up to 70 kg*)</p> <p>3 VX 7939 / 120
(loading capacity up to 120 kg*)</p> <p>4 V 8130
(loading capacity up to 60 kg*)</p> <p>5 VX 7939 / 160
(loading capacity up to 160 kg*)</p> <p>6 V 8037 WF
(loading capacity up to 70 kg*)</p> <p>7 V 8120
(loading capacity up to 40 kg*)</p> <p>8 Concealed hinge
Depending on the version, loading capacity from 40 to 180 kg</p> <p>9 VN 2927 / 160 Compact Planum (HW-SL)
Loading capacity up to 100 kg</p> <p>VR 120 round-style (not shown)
Loading capacity up to 100 kg</p> | <p>10 V2 A lock plate
Non-rebated</p> <p>11 Plastic catch protection plate</p> <p>12 V2 A latch lock plate
Rebated (foldback to frame face)</p> <p>13 V2 A lock plate
Rebated</p> <p>14 V2 A latch lock plate
Rebated</p> <p>15 V2 A lock plate
Non-rebated with catch adjustment, also available in rebated version</p> <p>16 V2 A catch protection plate
Non-rebated</p> <p>17 V2 A catch protection plate
Rebated</p> |
|---|--|

*** Load values:**

Maximum door leaf weight, taking the load factors into account with a door leaf size of 1000 mm × 2000 mm and using two hinges at a distance of 1435 mm. Door leaves of up to 60 kg can be fitted if using a standard support element for series V 8000 hinges.

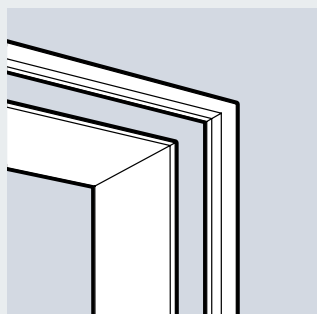
Technical Details

Standard size



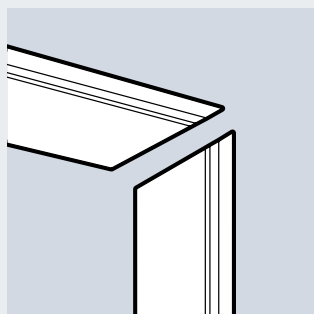
1-part frame

For solid walls and fitting in partition walls at the time of wall construction



Double-shell frame

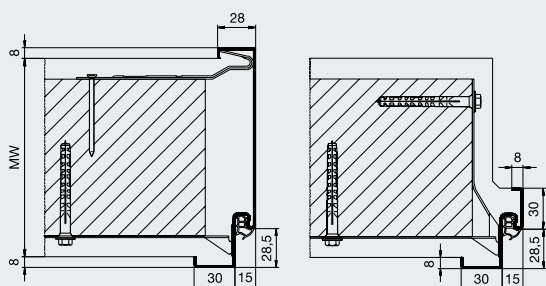
For renovations and retrofitting



3-part frames

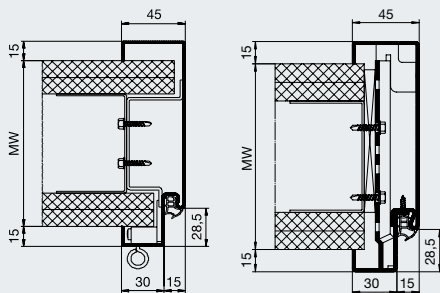
For simple clamp / screw fitting for retrofitting in partition walls

Frames for brickwork



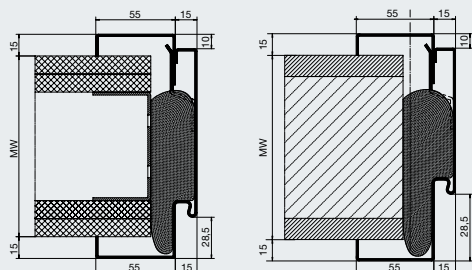
Nominal size		Frame hold dimension		Clear frame dimension	
Width	Height	Width	Height	Width	Height
625	2000	591	1983	561	1968
750	2000	716	1983	686	1968
875	2000	841	1983	811	1968
1000	2000	966	1983	936	1968
625	2125	591	2108	561	2093
750	2125	716	2108	686	2093
875	2125	841	2108	811	2093
1000	2125	966	2108	936	2093

Frames for partition walls



Nominal size		Frame hold dimension		Clear frame dimension	
Width	Height	Width	Height	Width	Height
625	2000	591	1983	561	1968
750	2000	716	1983	686	1968
875	2000	841	1983	811	1968
1000	2000	966	1983	936	1968
625	2125	591	2108	561	2093
750	2125	716	2108	686	2093
875	2125	841	2108	811	2093
1000	2125	966	2108	936	2093

VarioFix steel profile frame for all wall types



Nominal size		Wall widths	Wall thickness compensation / adjustment range
Width	Height	MW	
625	2000	100 125 150	95 – 115 120 – 140 145 – 165
750	2000		
875	2000		
1000	2000		
625	2125	100 125 150	95 – 115 120 – 140 145 – 165
750	2125		
875	2125		
1000	2125		

Hörmann Product Range

Everything from a single source for your construction project



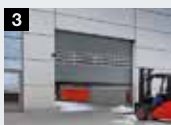
Quick service with testing, maintenance and repairs
 Our extensive service network means that we are always nearby and at your service around the clock.



1 Sectional doors



2 Rolling shutters and rolling grilles



3 High-speed doors



4 Loading technology



5 Steel and stainless steel sliding doors



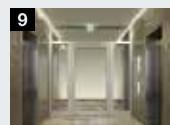
6 Steel and aluminium multi-function doors



7 Steel and stainless steel doors



8 Steel frames with high-quality timber function doors from Schörghuber



9 Fully glazed tubular frame parts



10 Automatic sliding doors



11 Visibility window



12 Collective garage doors

Hörmann: Quality without Compromise



Hörmann KG Amshausen, Germany



Hörmann KG Antriebstechnik, Germany



Hörmann KG Brandis, Germany



Hörmann KG Brockhagen, Germany



Hörmann KG Dissen, Germany



Hörmann KG Eckelhausen, Germany



Hörmann KG Freisen, Germany



Hörmann KG Ichttershausen, Germany



Hörmann KG Werne, Germany



Hörmann Alkmaar B.V., Netherlands



Hörmann Legnica Sp. z o.o., Poland



Hörmann Beijing, China



Hörmann Tianjin, China



Hörmann LLC, Montgomery IL, USA



Hörmann Flexon LLC, Burgettstown PA, USA



Shakti Hörmann Pvt. Ltd., India

Hörmann is the only manufacturer worldwide that offers you a complete range of all major building products from one source. We manufacture in highly-specialised factories using the latest production technologies. The close-meshed network of sales and service companies throughout Europe, and activities in the USA and Asia, make Hörmann your strong partner for first-class building products, offering "Quality without Compromise".

GARAGE DOORS
OPERATORS
INDUSTRIAL DOORS
LOADING EQUIPMENT
HINGED DOORS
DOOR FRAMES